

Specification sheet LX 886

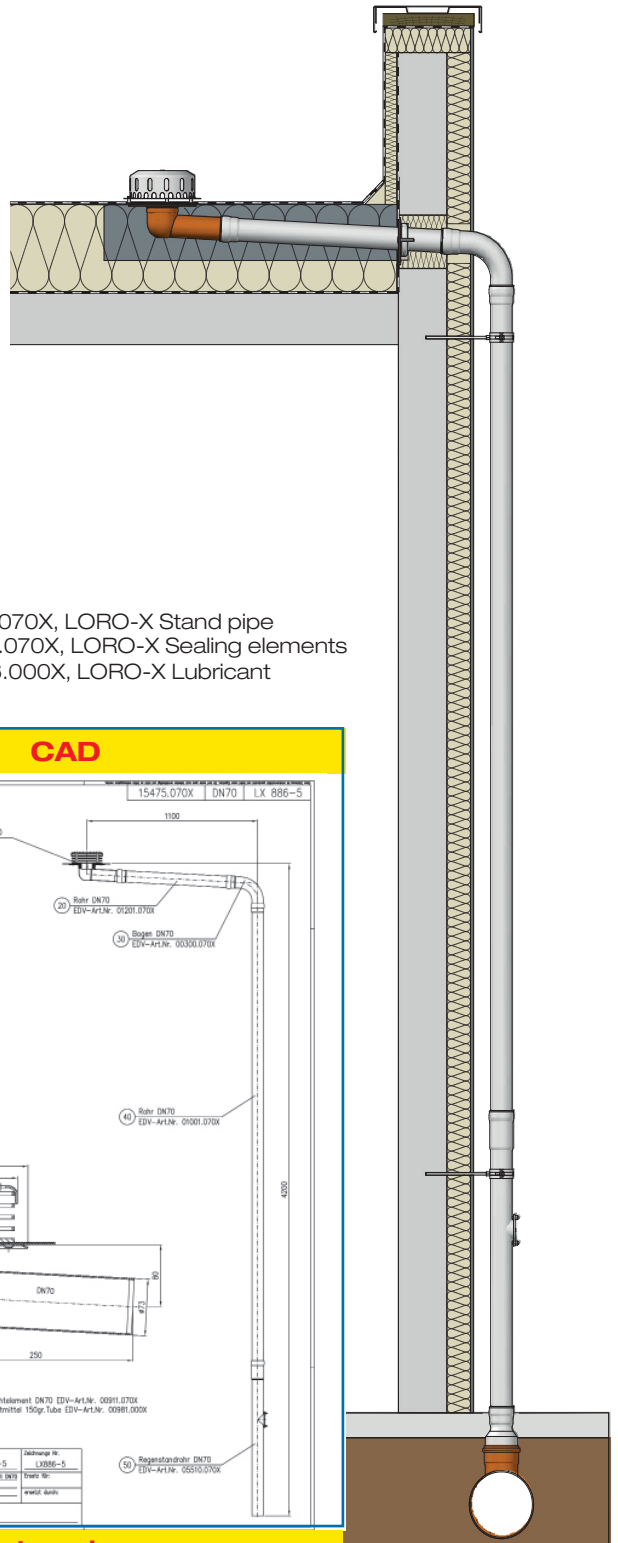
Roof drainage systems made of galvanized steel, Series O

Main drainage

Gravity flow

Silent Power

Discharge rate:	4,2 l/sec
Water height:	35 mm
Roof penetration:	-
Diameter:	DN 70
LX-Number:	LX 886
Weir height:	0 mm
Drain:	ventilated
Downpipe:	not ventilated
Downpipe height:	4,2 m
Drainage:	in sewer



LX 886 Piece list

1 x Art.-No. choose drain on page two!

1 x Art.-No. 01201.070X, LORO-X Pipe with one socket

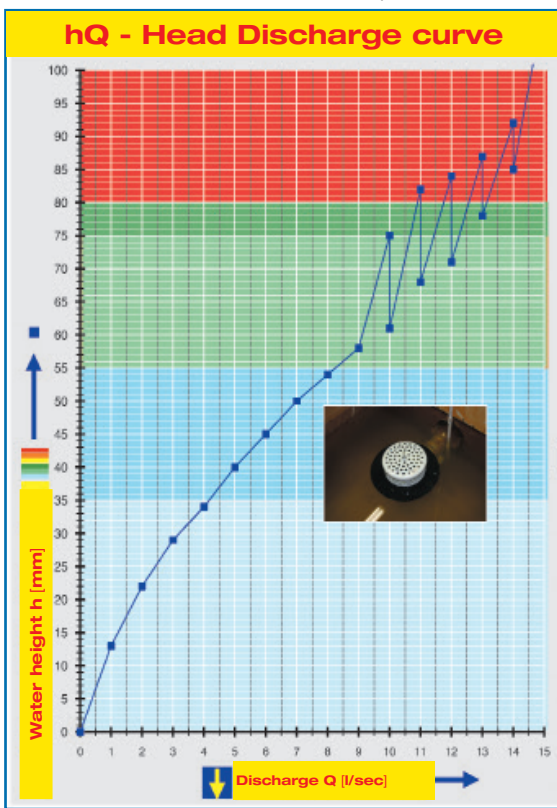
1 x Art.-No. 00300.070X, LORO-X Bend

1 x Art.-No. 01001.070X, LORO-X Pipe with one socket

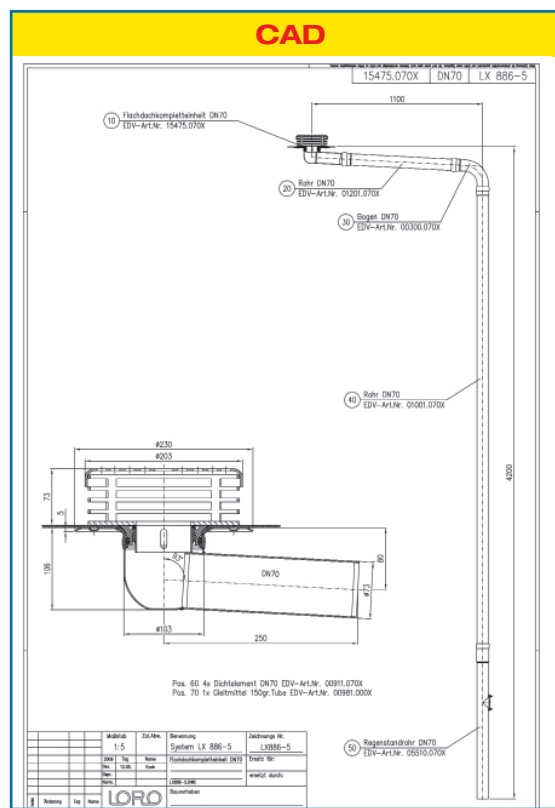
1 x Art.-No. 05510.070X, LORO-X Stand pipe

4 x Art.-No. 00911.070X, LORO-X Sealing elements

1 x Art.-No. 00986.000X, LORO-X Lubricant



Systempower



Systemshape

Water height	mm	5	10	15	20	25	30	35	40	45	50	55	60	65	70	75
Discharge	l/sec		0,8	1,2	1,7	2,4	3,2	4,2	5	6	7	8,2	9,1	9,4	10	10,6
		Silent Power														

Choose drain for piece list on page one!

DN 70

without thermal insulation

LX886-5X

Drain Art.-No. 15475.070X

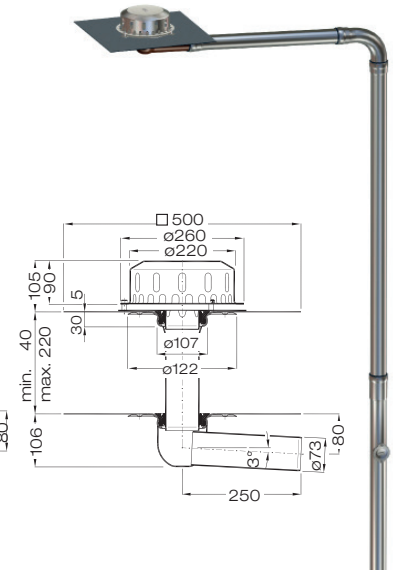
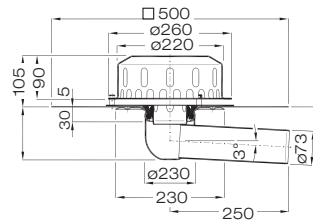
Series O
**one-piece
connection sleeve**



LX886-6X

Drain Art.-No. 15485.070X

Series O
**two-piece
connection sleeve**



with thermal insulation

LX886-7X

Drain Art.-No. 15575.070X

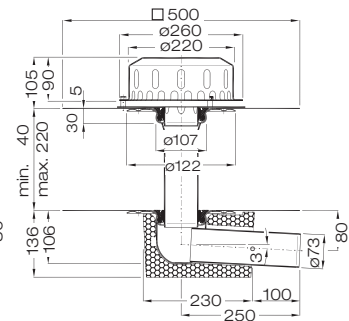
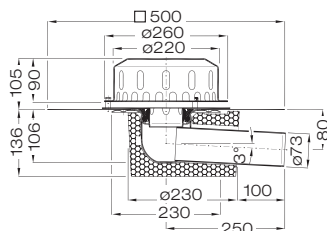
Series O
**one-piece
connection sleeve**



LX886-8X

Drain Art.-No. 15585.070X

Series O
**two-piece
connection sleeve**



Heat tracing: Lorowerk recommends to check all drains and pipes with regard to their frost-sensibility. Where necessary, these parts should be upgraded with heat tracing.